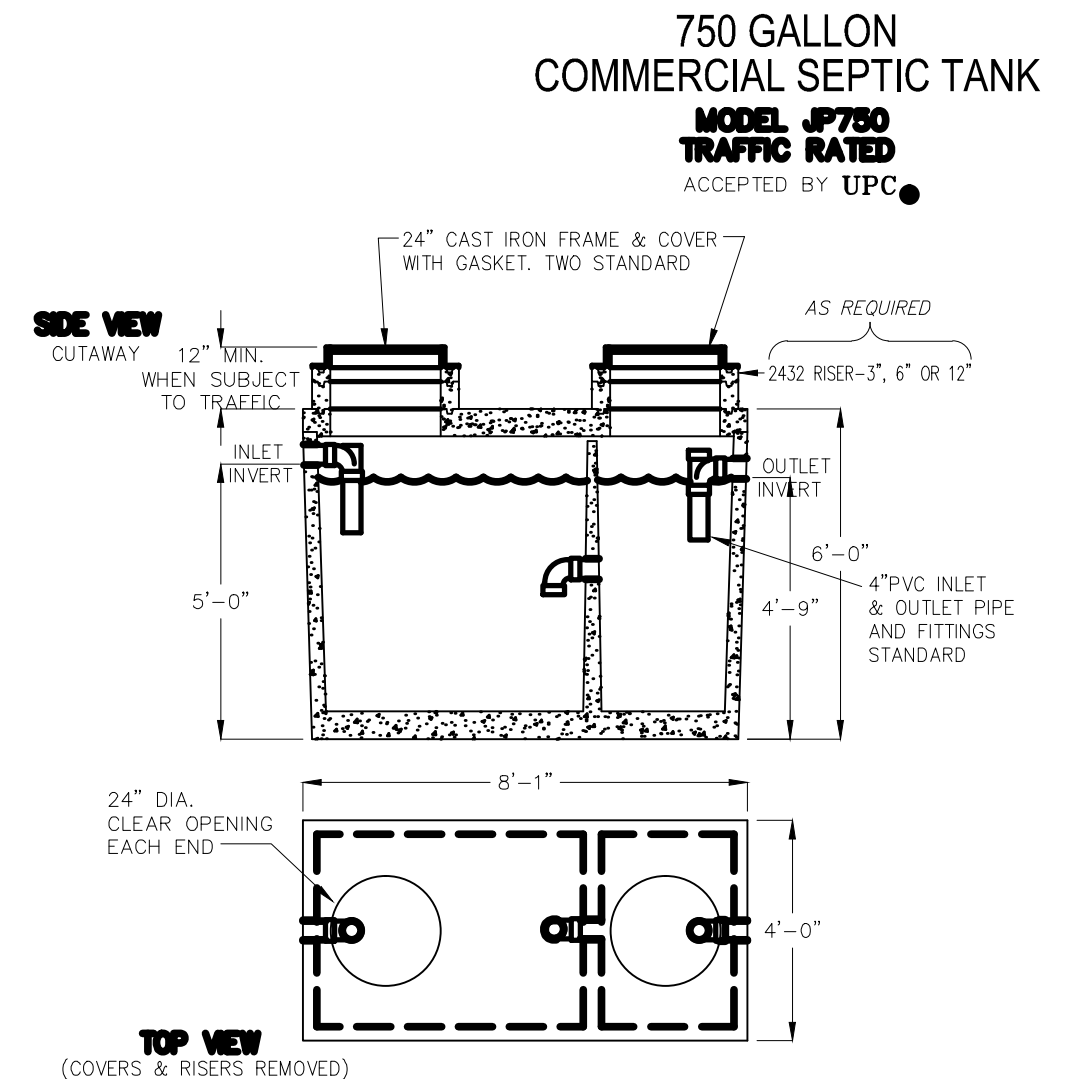


1 ENLARGED GRAYWATER FILTRATION SYSTEM BY REWATER

2 SURGE TANK - NTS

GRAYWATER SYSTEM NOTES:
 1- THE INSTALLER OF THE GRAYWATER SYSTEM SHALL PROVIDE AN OPERATION AND MAINTENANCE MANUAL TO THE OWNER OF THE SYSTEM.
 2- ALL GRAYWATER PIPING SHALL BE MARKED AS FOLLOWS: "DANGER - UNSAFE WATER".
 3- THE CONTRACTOR SHALL INSTALL THE FOLLOWING LABEL ON THE SURGE TANK:
 "GRAYWATER IRRIGATION SYSTEM, DANGER-UNSAFE WATER".



REWATER SYSTEMS, INC.
 3362 JESSICA STREET
 NEWBURY PARK, CA 91320

TEL: (805)262-2954

SUPPORT@REWATER.COM
 WWW.REWATER.COM

REVDATE 01/22/10 FILE NAME: N:\1002\1002-003\1002-ENLARGED_SYSTEM.dwg LAYOUT NAME: Layout1 PLOTTED: Friday, January 22, 2010 - 3:54pm

NO.	DATE	BY	DESCRIPTION



FINAL DESIGN SUBMITTAL

APPROVED:	DATE:
ACTIVITY - SATISFACTORY TO:	DATE:
FOR COMMANDER NAFAC:	DATE:
DESIGNER:	DR: TJC
REVIEWED BY:	QC: ###
DESIGN DIRECTOR:	

NAVAL FACILITIES ENGINEERING COMMAND
 SAN DIEGO, CA
 SOUTHWEST DIVISION
 OCEANSIDE, CALIFORNIA
 MCB CAMP PENDLETON
 FY09 MCON PROJECT P-330
 INDOOR PHYSICAL FITNESS CENTER
 ENLARGED GRAYWATER FILTRATION SYSTEM

CODE ID NO. 80091	SCALE: NTS
JOB ORDER NO.	
SPEC. NO.	
CONSTR. CONTR. NO.	
NAVFAC DRAWING NO. ###	
SHEET 126 OF 163	
P403-GW	