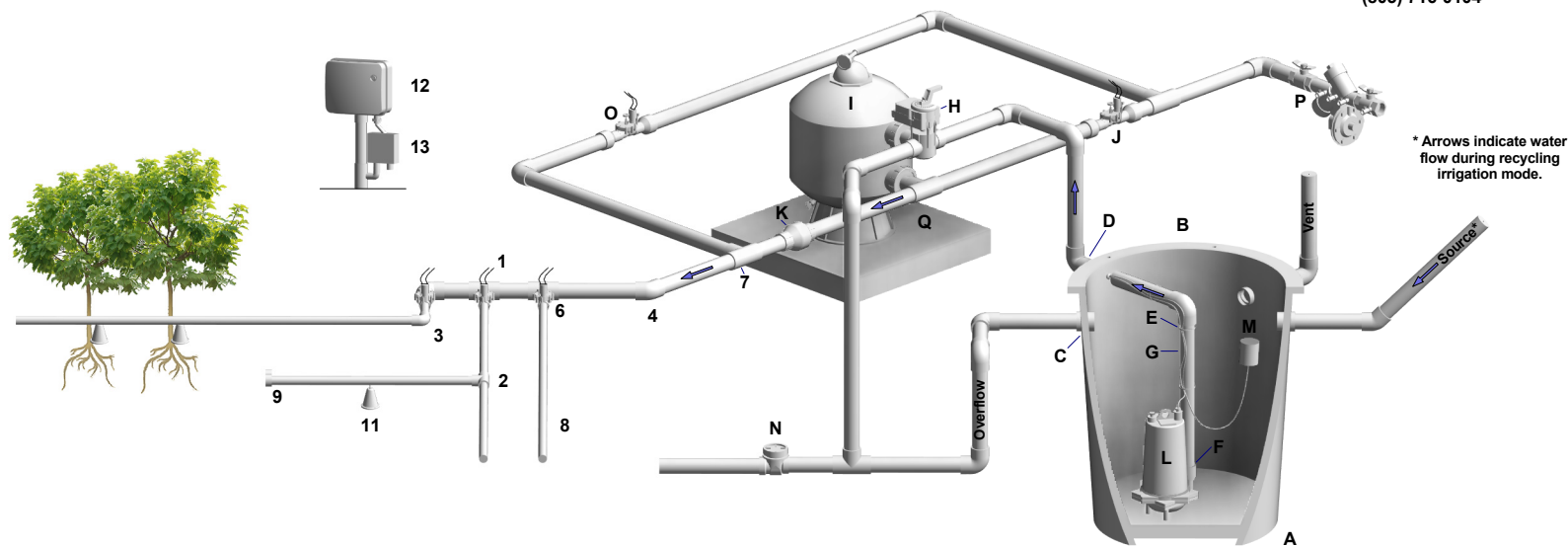


The ReWater® Irrigation System & Automatic Filter



ReWater Systems
 P.O. Box 19364
 Thousand Oaks, CA 91319
 (805) 716-0104



* Arrows indicate water flow during recycling irrigation mode.

IRRIGATION COMPONENTS:

1. 1" 24 VAC Solenoid Valves
2. Tees
3. 90 deg. Elbows
4. 45 deg. Elbows
5. 1" Threaded Male Adapters
6. Slip Reducers
7. Reducing Tees
8. Polyethylene Tubing (16mm, 19mm)
9. Figure 8 ends for Poly Tubing
10. Compression Rings
11. Rewater Trademark Emitters
12. Rewater Trademark Controller
13. 24 VAC / 120 VAC Relay Junction Box.

FILTRATION COMPONENTS:

- A. Surge Tank (70 gal. 24"x36" ; 110 gal. 30"x36")
- B. Lid w/SS Screws and Gasket material
- C. Bulkhead Adapters (4/2" ; or 2/2" and 2/3")
- D. Electrical Tension Grommets
- E. Nylon Tie Straps
- F. 2" Threaded Male Adapter
- G. 2" Discharge Pipe
- H. 3-Way Tee Valve w/24 VAC Actuator
- I. Fiberglass Filter Vessel
- J. Solenoid Valve for backwash
- K. 1 1/2" Swing Check Valve
- L. 1/2 hp Submersible Pump w/ 20' cable
- M. 24 VAC Float Switch w/ 20' cable
- N. Backflow Valve w/ viewing port (2" ; or 3")
- O. Solenoid Valve for irrigation (1" ; or 1 1/2")
- P. Reduced Pressure Principle Device (1" ; or 1 1/2")
- Q. Platform (Optional)

WARRANTY:

ReWater Systems warranties it's entire system to be free of manufacturing defects for two years.